

FQ-RCTA03

FLEXIBLE COIL



FQ-RCTA03

Flexible AC Coil

The FQ-RCTA03 Flexible AC coil is designed for easy installed in tight spaces and without the need for dismantling the primary busbar or cables. It includes a flexible Rogowski coil probe and electronic modules. The signal from the coil probe can be amplified by the electronic modules through the integration processing. The output signal can be directly used in oscilloscope, digital multimeter or data logger recording instrument.



Applications

1. Power quality monitoring
2. CT secondary current detection
3. Smart logger
4. Distributed measurement systems

Features

1. Flexible and light weights, exquisite appearance
2. Easy & quick installation in tight spaces
3. No danger from open-circuited secondary
4. No core saturation or damage if overloaded
5. Excellent linearity
6. Multi-size are available
7. Maximum measuring current up to 6000A

General Data

1. Operating temperature & humidity 0 to 50°C (32-122°F), ≤80%RH(No condensate)
2. Storage temperature & humidity: -10 to 60°C (14-140°F), ≤80%RH(No condensate)
3. Operating environment: Indoor, altitude up to 2000 meters
4. Standards Safety: IEC61010-1:2001, 600V CAT III

Архангельск (8182)63-90-72
Астана (7172)727-132
Астрахань (8512)99-46-04
Барнаул (3852)73-04-60
Белгород (4722)40-23-64
Брянск (4832)59-03-52
Владивосток (423)249-28-31
Волгоград (844)278-03-48
Вологда (8172)26-41-59
Воронеж (473)204-51-73
Екатеринбург (343)384-55-89
Иваново (4932)77-34-06

Ижевск (3412)26-03-58
Иркутск (395)279-98-46
Казань (843)206-01-48
Калининград (4012)72-03-81
Калуга (4842)92-23-67
Кемерово (3842)65-04-62
Киров (8332)68-02-04
Краснодар (861)203-40-90
Красноярск (391)204-63-61
Курск (4712)77-13-04
Липецк (4742)52-20-81
Киргизия (996)312-96-26-47

Магнитогорск (3519)55-03-13
Москва (495)268-04-70
Мурманск (8152)59-64-93
Набережные Челны (8552)20-53-41
Нижний Новгород (831)429-08-12
Новокузнецк (3843)20-46-81
Новосибирск (383)227-86-73
Омск (3812)21-46-40
Орел (4862)44-53-42
Оренбург (3532)37-68-04
Пенза (8412)22-31-16
Россия (495)268-04-70

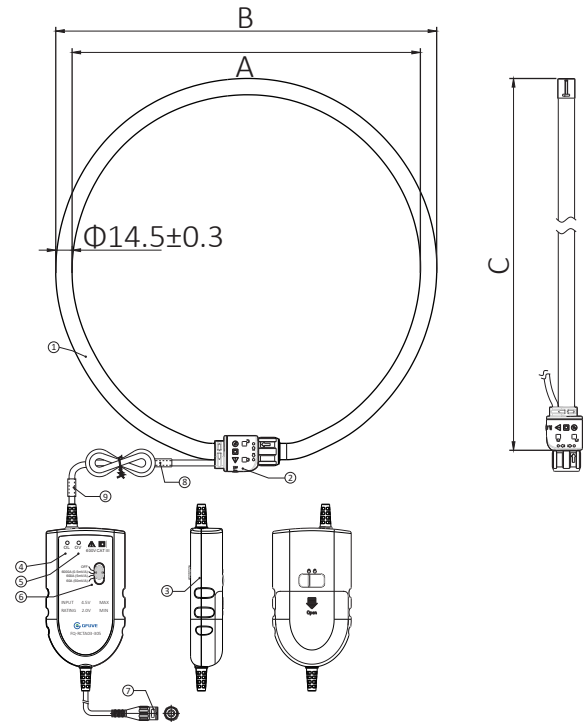
Пермь (342)205-81-47
Ростов-на-Дону (863)308-18-15
Рязань (4912)46-61-64
Самара (846)206-03-16
Санкт-Петербург (812)309-46-40
Саратов (845)249-38-78
Севастополь (8692)22-31-93
Симферополь (3652)67-13-56
Смоленск (4812)29-41-54
Сочи (862)225-72-31
Ставрополь (8652)20-65-13
Казахстан (772)734-952-31

Сургут (3462)77-98-35
Тверь (4822)63-31-35
Томск (3822)98-41-53
Тула (4872)74-02-29
Тюмень (3452)66-21-18
Ульяновск (8422)24-23-59
Уфа (347)229-48-12
Хабаровск (4212)92-98-04
Челябинск (351)202-03-61
Череповец (8202)49-02-64
Ярославль (4852)69-52-93

Dimension

Dimensions (mm)	FQ-RCTA03-305
Window A	305
Coil OD B	335
Coil Length C	1000

NO.	Module Name
①	Flexible coil body
②	Coil Interface lock
③	Electronic modules plastic shell
④	Power Indicator(Red)
⑤	Overload indicator(Yellow)
⑥	Shift switch
⑦	Public BNC connector
⑧	Company logo
⑨	Product Model Code



Parameters

Electrical parameters (FQ-RCTA03-305)	
Current Range	60A/600A/6000A (10%~100%In)
Output sensitivity	50mV/A, 5mV/A, 0.5mV/A
Accuracy	$\pm 1\%$ (10%~100%In) @45-65Hz
Phase error	$\pm 1^\circ$ (10%~100%In) @45-65Hz $\pm 10^\circ$ @ 20kHz
Linearity error	$\pm 0.2\%$ (10%~100%In)
Position Sensitivity	$\pm 2\%$ (The distance from the measured Cable to the junction is above 20mm)
External Influence	$\pm 1\%$ Max(More than 200mm from the coil)
Noise	8mV rms(60A); 2 mV rms (60A)
Temperature Coefficient	$\pm 0.08\%/^\circ\text{C}$ of the reading data
Frequency Range	10Hz to 20KHz(-3dB)
Load Impedance	Min 100K Ω
Power Supply	2*AA MN1500 LR6 Batter y(400 hrs) External Adapter :4.5V DC
Power LED Indicator	ON indication When normal power (Red light goes off after 3 seconds) Low batter y indication(Red is always on)

FQ-RCTA03

FLEXIBLE COIL



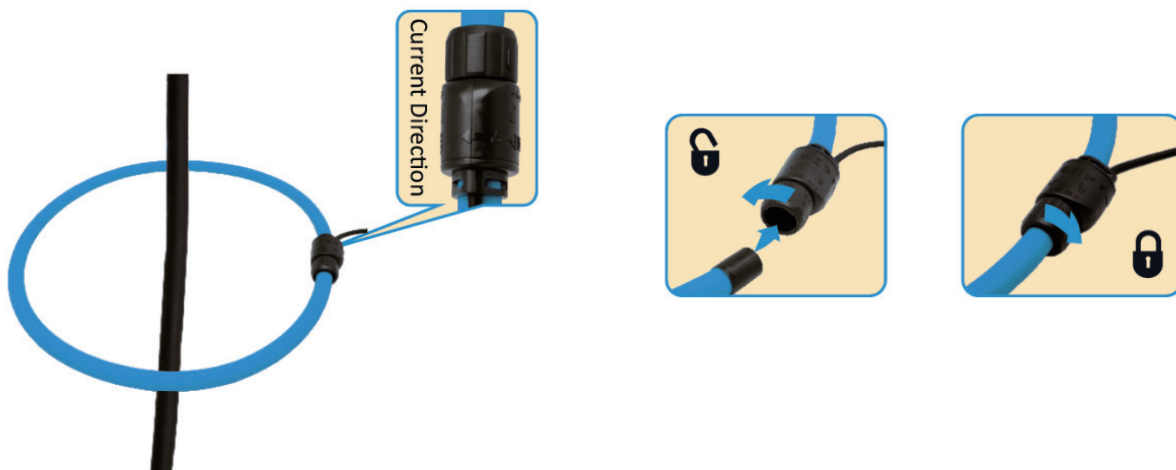
Electrical parameters (FQ-RCTA03-305) - continued

Overload LED indicator	Overload above 120% of the range indication (Yellow)
Operating Voltage	600V AC RMS or DC
Security Level	IEC61010-1:2001,600V CAT III

Mechanical parameters

Cable length	3m(Measuring head to the electronics module)
Output terminals	0.5m cable with Safety BNC plug
Weight	230g (Measuring head), 130g (Electronic modules)

Usage Instruction



Архангельск (8182)63-90-72
Астана (7172)727-132
Астрахань (8512)99-46-04
Барнаул (3852)73-04-60
Белгород (4722)40-23-64
Брянск (4832)59-03-52
Владивосток (423)249-28-31
Волгоград (844)278-03-48
Вологда (8172)26-41-59
Воронеж (473)204-51-73
Екатеринбург (343)384-55-89
Иваново (4932)77-34-06

Ижевск (3412)26-03-58
Иркутск (395)279-98-46
Казань (843)206-01-48
Калининград (4012)72-03-81
Калуга (4842)92-23-67
Кемерово (3842)65-04-62
Киров (8332)68-02-04
Краснодар (861)203-40-90
Красноярск (391)204-63-61
Курск (4712)77-13-04
Липецк (4742)52-20-81
Киргизия (996)312-96-26-47

Магнитогорск (3519)55-03-13
Москва (495)268-04-70
Мурманск (8152)59-64-93
Набережные Челны (8552)20-53-41
Нижний Новгород (831)429-08-12
Новокузнецк (3843)20-46-81
Новосибирск (383)227-86-73
Омск (3812)21-46-40
Орел (4862)44-53-42
Оренбург (3532)37-68-04
Пенза (8412)22-31-16
Россия (495)268-04-70

Пермь (342)205-81-47
Ростов-на-Дону (863)308-18-15
Рязань (4912)46-61-64
Самара (846)206-03-16
Санкт-Петербург (812)309-46-40
Саратов (845)249-38-78
Севастополь (8692)22-31-93
Симферополь (3652)67-13-56
Смоленск (4812)29-41-54
Сочи (862)225-72-31
Ставрополь (8652)20-65-13
Казахстан (772)734-952-31

Сургут (3462)77-98-35
Тверь (4822)63-31-35
Томск (3822)98-41-53
Тула (4872)74-02-29
Тюмень (3452)66-21-18
Ульяновск (8422)24-23-59
Уфа (347)229-48-12
Хабаровск (4212)92-98-04
Челябинск (351)202-03-61
Череповец (8202)49-02-64
Ярославль (4852)69-52-93

<https://gfuve.nt-rt.ru/> || gvf@nt-rt.ru