

# LZCK310-10

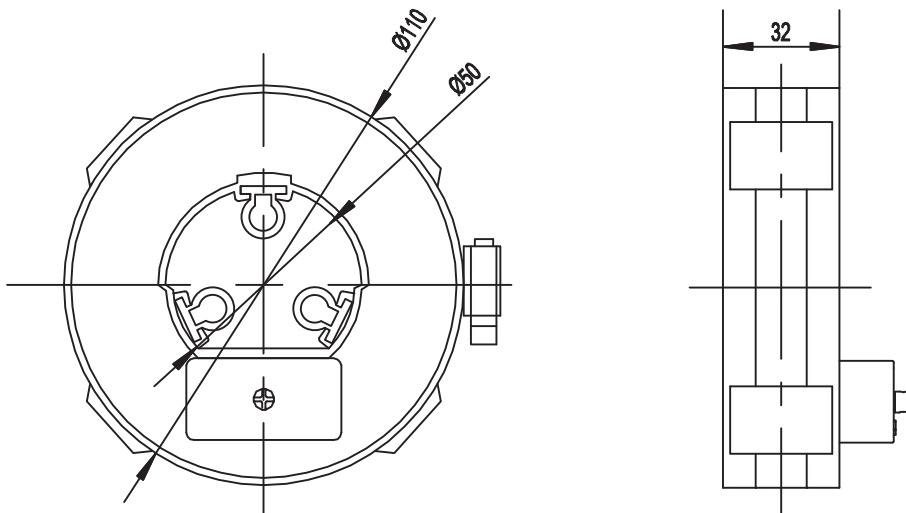
## Split Core Current Transformer

*LZCK series split core current transformer is suitable for current measurement and microcomputer protection of electrical equipment in 10KV and 35KV AC power system. It is widely used in compact fully insulated ring network switchgears such as ABB-SafeRing/SafePlus...and cable distribution boxes.*

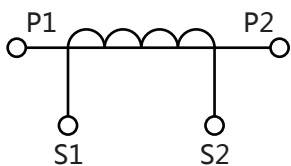
*The transformer can be directly installed at the inlet and outlet cables. The slice is imported silicon material. The semicircular ring core and secondary windings are vacuum poured by insulated resin.*



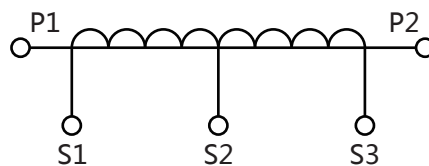
## Outline drawing



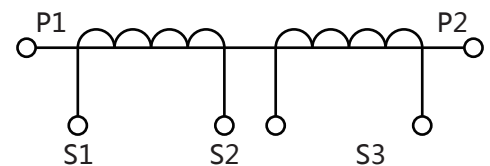
## Wiring diagrams



Single winding



Secondary winding with tap



Double winding

P1, P2 is primary polarity terminal, S1, S2 is secondary polarity terminal.  
P2, S2 is homonymous terminals (subtractive polarity).

Архангельск (8182)63-90-72  
Астана (7172)727-132  
Астрахань (8512)99-46-04  
Барнаул (3852)73-04-60  
Белгород (4722)40-23-64  
Брянск (4832)59-03-52  
Владивосток (423)249-28-31  
Волгоград (844)278-03-48  
Вологда (8172)26-41-59  
Воронеж (473)204-51-73  
Екатеринбург (343)384-55-89  
Иваново (4932)77-34-06

Ижевск (3412)26-03-58  
Иркутск (395)279-98-46  
Казань (843)206-01-48  
Калининград (4012)72-03-81  
Калуга (4842)92-23-67  
Кемерово (3842)65-04-62  
Киров (8332)68-02-04  
Краснодар (861)203-40-90  
Красноярск (391)204-63-61  
Курск (4712)77-13-04  
Липецк (4742)52-20-81

Киргизия (996)312-96-26-47

Магнитогорск (3519)55-03-13  
Москва (495)268-04-70  
Мурманск (8152)59-64-93  
Набережные Челны (8552)20-53-41  
Нижний Новгород (831)429-08-12  
Новокузнецк (3843)20-46-81  
Новосибирск (383)227-86-73  
Омск (3812)21-46-40  
Орел (4862)44-53-42  
Оренбург (3532)37-68-04  
Пенза (8412)22-31-16

Россия (495)268-04-70

Пермь (342)205-81-47  
Ростов-на-Дону (863)308-18-15  
Рязань (4912)46-61-64  
Самара (846)206-03-16  
Санкт-Петербург (812)309-46-40  
Саратов (845)249-38-78  
Севастополь (8692)22-31-93  
Симферополь (3652)67-13-56  
Смоленск (4812)29-41-54  
Сочи (862)225-72-31  
Ставрополь (8652)20-65-13

Казахстан (772)734-952-31

Сургут (3462)77-98-35  
Тверь (4822)63-31-35  
Томск (3822)98-41-53  
Тула (4872)74-02-29  
Тюмень (3452)66-21-18  
Ульяновск (8422)24-23-59  
Уфа (347)229-48-12  
Хабаровск (4212)92-98-04  
Челябинск (351)202-03-61  
Череповец (8202)49-02-64  
Ярославль (4852)69-52-93

## Parameters

Technical parameters	
Standards	IEC60044-1; IEC 61869-2; NTC 2205; GB1208-2006
Rated primary current	300-600A
Rated load	≤10VA
Rated frequency	50Hz or 60Hz
Rated secondary current	5A or 1A
Rated short-time thermal current	40kA, 1S
Rated continuous thermal current	120%I <sub>1n</sub>
Secondary winding power-frequency voltage	3kV, 1min
Instrument security factor	FS ≤10
Mechanical parameters	
Dimensions (W×D×H) (mm)	φ50×φ110×32
Weight (kg)	1
Operating conditions	
Operating temperature	-35°C to +55°C
Daily average temp	< +40°C
Altitude	<3500 meters
Condition	No existence of severely begrimed, erosive and radioactive gas in the air. Permission of long-term operation under rated current.

## Technical data

Type	LZCK310-10			LZCK310-10		
	Measuring current transformer			Protection current transformer		
Ratio	Accuracy class and rated load(VA)			Accuracy class and rated load(VA)		
I <sub>1</sub> /I <sub>2</sub>	0.5	1	3	10P15	10P10	10P5
300/1	1.5	2.5	2.5		1.5	2.5
400/1	2.5	3.75	3.75		1.5	2.5
500/1	2.5	5	5	1.5	2.5	5
600/1	2.5	5	5	1.5	2.5	5
300/5	2.5	3.75	3.75		1	2.5
400/5	5	7.5	7.5		1.5	3.75
500/5	5	7.5	7.5		2.5	5
600/5	5	7.5	10		2.5	5

## Selection guide

Model	Primary rated current	Rated load	Aperture (mm)	Description (mm)	Weight (kg)	Material	Water-proof
LMCK055-10	300-1200A	≤10VA	φ55	180×138×52	2	PC	IP65
LMCK185-10	300-3000A	≤25VA	φ185	350×283×55	4.5	PC	IP65
LZCK310-10	300-600A	≤10VA	φ50	φ50 x φ110 x 32	1	Resin	silicon case (option)
LZCK322-10	30-600A	≤10VA	φ50	φ50 x φ110 x 52	1.6	Resin	silicon case (option)
LZCK350-10	20-600A	≤25VA	φ50	φ50 x φ110 x 105	3.1	Resin	silicon case (option)
LZCG530-10	30-600A	≤20VA	φ45	φ45 x φ120 x 65	5	Resin	silicon case (option)

## Ordering information

Be sure to the type, current ratio, accuracy class, rated load and use of the products when you plan to make a order. Special specifications could be customized.

All kinds of different specifications and parameters current transformers can be made according to your needs.

Архангельск (8182)63-90-72  
 Астана (7172)727-132  
 Астрахань (8512)99-46-04  
 Барнаул (3852)73-04-60  
 Белгород (4722)40-23-64  
 Брянск (4832)59-03-52  
 Владивосток (423)249-28-31  
 Волгоград (844)278-03-48  
 Вологда (8172)26-41-59  
 Воронеж (473)204-51-73  
 Екатеринбург (343)384-55-89  
 Иваново (4932)77-34-06

Ижевск (3412)26-03-58  
 Иркутск (395)279-98-46  
 Казань (843)206-01-48  
 Калининград (4012)72-03-81  
 Калуга (4842)92-23-67  
 Кемерово (3842)65-04-62  
 Киров (8332)68-02-04  
 Краснодар (861)203-40-90  
 Красноярск (391)204-63-61  
 Курск (4712)77-13-04  
 Липецк (4742)52-20-81

Магнитогорск (3519)55-03-13  
 Москва (495)268-04-70  
 Мурманск (8152)59-64-93  
 Набережные Челны (8552)20-53-41  
 Нижний Новгород (831)429-08-12  
 Новокузнецк (3843)20-46-81  
 Новосибирск (383)227-86-73  
 Омск (3812)21-46-40  
 Орел (4862)44-53-42  
 Оренбург (3532)37-68-04  
 Пенза (8412)22-31-16

Пермь (342)205-81-47  
 Ростов-на-Дону (863)308-18-15  
 Рязань (4912)46-61-64  
 Самара (846)206-03-16  
 Санкт-Петербург (812)309-46-40  
 Саратов (845)249-38-78  
 Севастополь (8692)22-31-93  
 Симферополь (3652)67-13-56  
 Смоленск (4812)29-41-54  
 Сочи (862)225-72-31  
 Ставрополь (8652)20-65-13

Сургут (3462)77-98-35  
 Тверь (4822)63-31-35  
 Томск (3822)98-41-53  
 Тула (4872)74-02-29  
 Тюмень (3452)66-21-18  
 Ульяновск (8422)24-23-59  
 Уфа (347)229-48-12  
 Хабаровск (4212)92-98-04  
 Челябинск (351)202-03-61  
 Череповец (8202)49-02-64  
 Ярославль (4852)69-52-93

Киргизия (996)312-96-26-47

Россия (495)268-04-70

Казахстан (772)734-952-31

<https://gfuve.nt-rt.ru/> || [gfv@nt-rt.ru](mailto:gfv@nt-rt.ru)