

## LZCK720-10

### Split Core Dry Type Current transformer

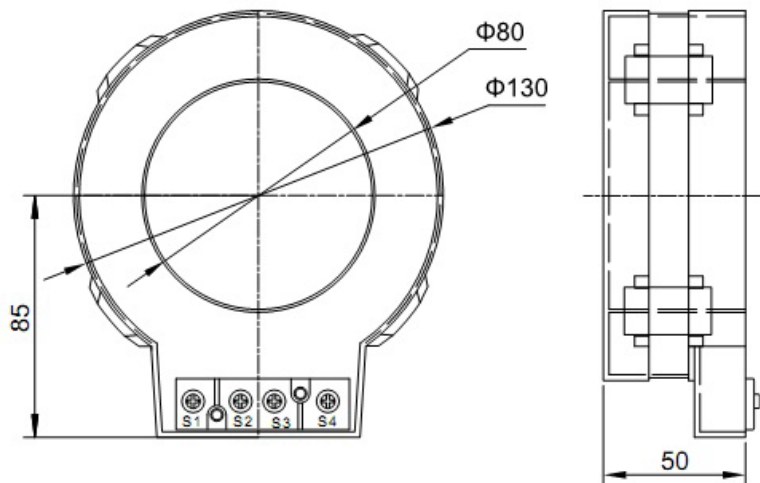
LZCK series split core current transformer is suitable for current measurement and microcomputer protection of electrical equipment in 10KV and 35KV AC power system.

It is widely used in compact fully insulated ring network switchgears such as ABB-Safe Ring/Safe Plus...and cable distribution boxes.

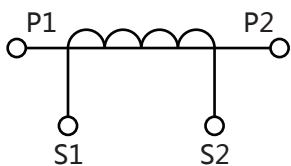
The transformer can be directly installed at the inlet and outlet cables. The slice is imported silicon material. The semicircular ring core and secondary windings are vacuum poured by insulated resin.



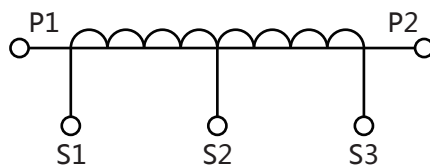
### Outline drawing



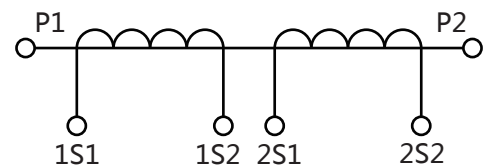
### Wiring diagrams



Single winding



Secondary winding with tap



Double winding

P1, P2 is primary polarity terminal, S1, S2 is secondary polarity terminal.  
P2, S2 is homonymous terminals (subtractive polarity).

Архангельск (8182)63-90-72  
Астана (7172)727-132  
Астрахань (8512)99-46-04  
Барнаул (3852)73-04-60  
Белгород (4722)40-23-64  
Брянск (4832)59-03-52  
Владивосток (423)249-28-31  
Волгоград (844)278-03-48  
Вологда (8172)26-41-59  
Воронеж (473)204-51-73  
Екатеринбург (343)384-55-89  
Иваново (4932)77-34-06

Ижевск (3412)26-03-58  
Иркутск (395)279-98-46  
Казань (843)206-01-48  
Калининград (4012)72-03-81  
Калуга (4842)92-23-67  
Кемерово (3842)65-04-62  
Киров (8332)68-02-04  
Краснодар (861)203-40-90  
Красноярск (391)204-63-61  
Курск (4712)77-13-04  
Липецк (4742)52-20-81

Магнитогорск (3519)55-03-13  
Москва (495)268-04-70  
Мурманск (8152)59-64-93  
Набережные Челны (8552)20-53-41  
Нижегород (831)429-08-12  
Новокузнецк (3843)20-46-81  
Новосибирск (383)227-86-73  
Омск (3812)21-46-40  
Орел (4862)44-53-42  
Оренбург (3532)37-68-04  
Пенза (8412)22-31-16

Пермь (342)205-81-47  
Ростов-на-Дону (863)308-18-15  
Рязань (4912)46-61-64  
Самара (846)206-03-16  
Санкт-Петербург (812)309-46-40  
Саратов (845)249-38-78  
Севастополь (8692)22-31-93  
Симферополь (3652)67-13-56  
Смоленск (4812)29-41-54  
Сочи (862)225-72-31  
Ставрополь (8652)20-65-13

Сургут (3462)77-98-35  
Тверь (4822)63-31-35  
Томск (3822)98-41-53  
Тула (4872)74-02-29  
Тюмень (3452)66-21-18  
Ульяновск (8422)24-23-59  
Уфа (347)229-48-12  
Хабаровск (4212)92-98-04  
Челябинск (351)202-03-61  
Череповец (8202)49-02-64  
Ярославль (4852)69-52-93

Киргизия (996)312-96-26-47

Россия (495)268-04-70

Казахстан (772)734-952-31

## Parameters

Technical parameters	
Standards	IEC60044-1; IEC 61869-2; NTC 2205; ANSI C57.13
Rated primary current	100-1500A
Rated load	≤10VA
Rated frequency	50Hz or 60Hz
Rated secondary current	5A or 1A
Rated short-time thermal current	40kA, 1S
Rated continuous thermal current	120%I <sub>1n</sub>
Secondary winding power-frequency voltage	3kV, 1min
Instrument security factor	FS≤10
Mechanical parameters	
Dimensions (W×D×H) (mm)	φ80×φ110×50
Weight (kg)	2.1
Operating conditions	
Operating temperature	-35°C to +55°C
Daily average temp	<+40°C
Storage temperature	-40°C to +70°C
Altitude	<3500 meters
Condition	No existence of severely begrimed, erosive and radioactive gas in the air. Permission of long-term operation under rated current.

## Technical data

Type	LZCK720-10		LZCK720-10	
Purpose	Measuring current transformer		Protection current transformer	
Ratio	Accuracy class and rated load(VA)		Accuracy class and rated load(VA)	
I <sub>1</sub> /I <sub>2</sub>	0.5	1	10P10	10P5
100/1	2	2.5		1
200/1	2.5	3.75		2.5
300/1	3.75	5	2.5	3.75
400/1	5	7.5	3.75	5
500/1	7.5	10	5	7.5
600/1	10	15	7.5	10
100/5	2	2.5		1
200/5	2.5	3.75		2.5
300/5	3.75	5	2.5	3.75

Type	LZCK720-10		LZCK720-10	
Purpose	Measuring current transformer		Protection current transformer	
Ratio	Accuracy class and rated load(VA)		Accuracy class and rated load(VA)	
400/5	5	7.5	3.75	5
500/5	7.5	10	5	7.5
600/5	10	15	7.5	10
800/5	10	15	7.5	10
1000/5	10	15	7.5	10
1200/5	10	15	7.5	10
1500/5	10	15	7.5	10

## Selection guide

Model	Primary rated current	Rated load	Aperture (mm)	Description (mm)	Weight (kg)	Material	Water-proof
LZCK55	100-1500A	≤10VA	φ55	180×138×52	2	ABS+Resin	IP65
LMCK185-10	300-3000A	≤25VA	φ185	350×283×55	4.5	ABS+Resin	IP65
LZCK310-10	300-600A	≤10VA	φ50	φ50 x φ110 x 32	1	Resin	silicon case (option)
LZCK322-10	30-600A	≤10VA	φ50	φ50 x φ110 x 52	1.6	Resin	silicon case (option)
LZCK350-10	20-600A	≤25VA	φ50	φ50 x φ110 x 105	3.1	Resin	silicon case (option)
LZCK720-10	20-1000A	≤25VA	φ60	φ80 x φ110 x 50	2.1	Resin	silicon case (option)
LZCK2500-10	500-1500A	≤20VA	φ120	φ120 x φ185 x 100	7	Resin	silicon case (option)
LZCG530-10	30-600A	≤20VA	φ45	φ45 x φ120 x 65	2.1	Resin	silicon case (option)
LZCG930-10	100-1500A	≤25VA	φ60	φ60 x φ155 x 60	3.6	Resin	silicon case (option)
LZCT722-10	20-600A	≤10VA	φ82	φ82 x φ130 x 55	2.3	Resin	silicon case (option)

Архангельск (8182)63-90-72  
 Астана (7172)727-132  
 Астрахань (8512)99-46-04  
 Барнаул (3852)73-04-60  
 Белгород (4722)40-23-64  
 Брянск (4832)59-03-52  
 Владивосток (423)249-28-31  
 Волгоград (844)278-03-48  
 Вологда (8172)26-41-59  
 Воронеж (473)204-51-73  
 Екатеринбург (343)384-55-89  
 Иваново (4932)77-34-06

Ижевск (3412)26-03-58  
 Иркутск (395)279-98-46  
 Казань (843)206-01-48  
 Калининград (4012)72-03-81  
 Калуга (4842)92-23-67  
 Кемерово (3842)65-04-62  
 Киров (8332)68-02-04  
 Краснодар (861)203-40-90  
 Красноярск (391)204-63-61  
 Курск (4712)77-13-04  
 Липецк (4742)52-20-81

Магнитогорск (3519)55-03-13  
 Москва (495)268-04-70  
 Мурманск (8152)59-64-93  
 Набережные Челны (8552)20-53-41  
 Нижний Новгород (831)429-08-12  
 Новокузнецк (3843)20-46-81  
 Новосибирск (383)227-86-73  
 Омск (3812)21-46-40  
 Орел (4862)44-53-42  
 Оренбург (3532)37-68-04  
 Пенза (8412)22-31-16

Пермь (342)205-81-47  
 Ростов-на-Дону (863)308-18-15  
 Рязань (4912)46-61-64  
 Самара (846)206-03-16  
 Санкт-Петербург (812)309-46-40  
 Саратов (845)249-38-78  
 Севастополь (8692)22-31-93  
 Симферополь (3652)67-13-56  
 Смоленск (4812)29-41-54  
 Сочи (862)225-72-31  
 Ставрополь (8652)20-65-13

Сургут (3462)77-98-35  
 Тверь (4822)63-31-35  
 Томск (3822)98-41-53  
 Тула (4872)74-02-29  
 Тюмень (3452)66-21-18  
 Ульяновск (8422)24-23-59  
 Уфа (347)229-48-12  
 Хабаровск (4212)92-98-04  
 Челябинск (351)202-03-61  
 Череповец (8202)49-02-64  
 Ярославль (4852)69-52-93

Киргизия (996)312-96-26-47

Россия (495)268-04-70

Казахстан (772)734-952-31

<https://gfuve.nt-rt.ru/> || [gvf@nt-rt.ru](mailto:gvf@nt-rt.ru)